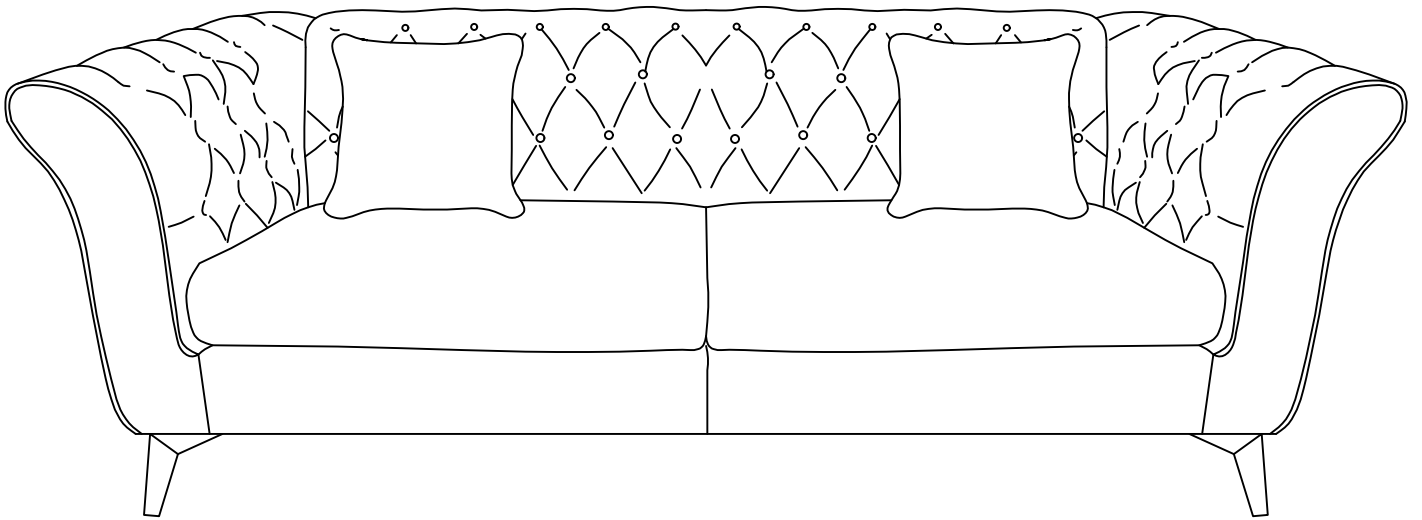
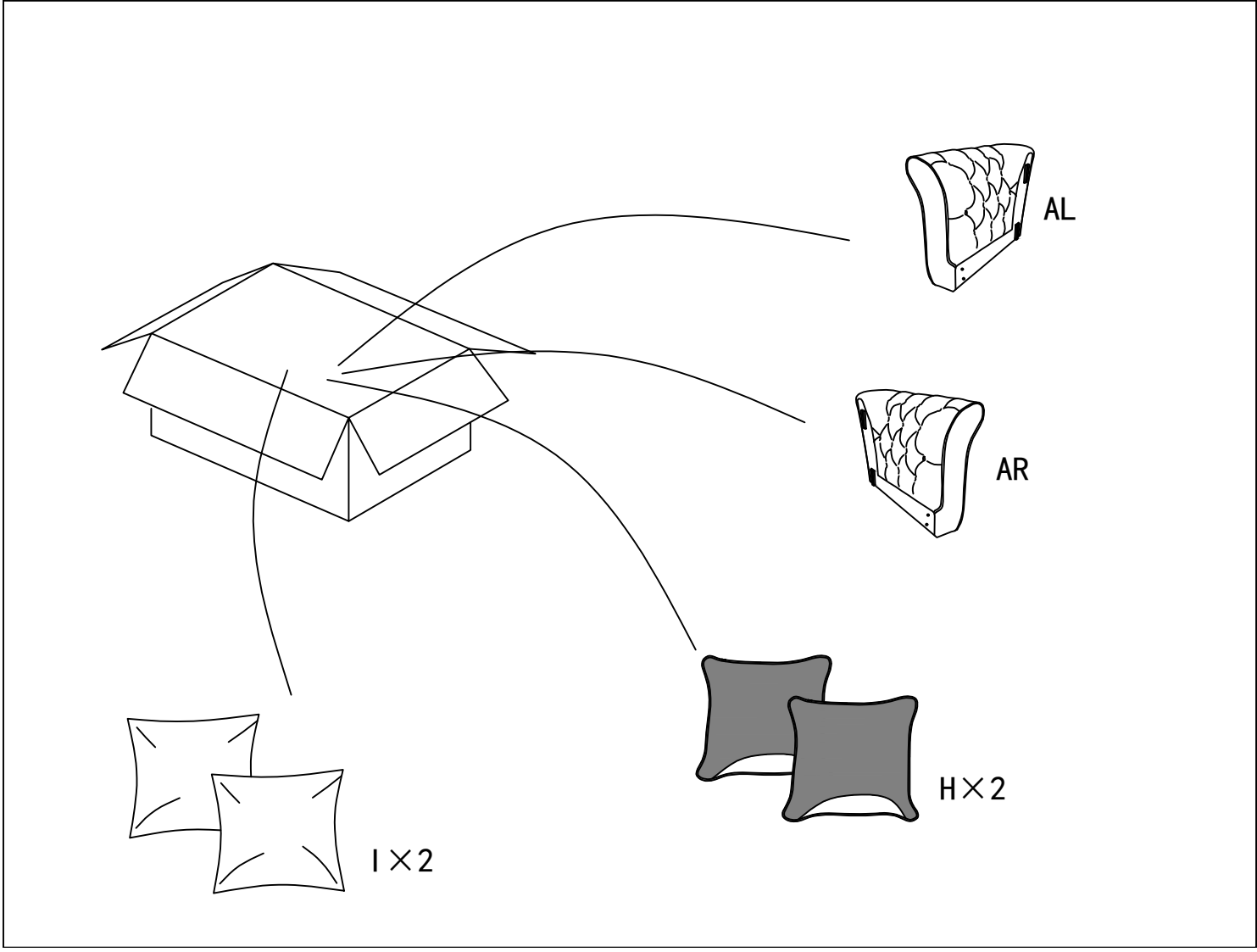
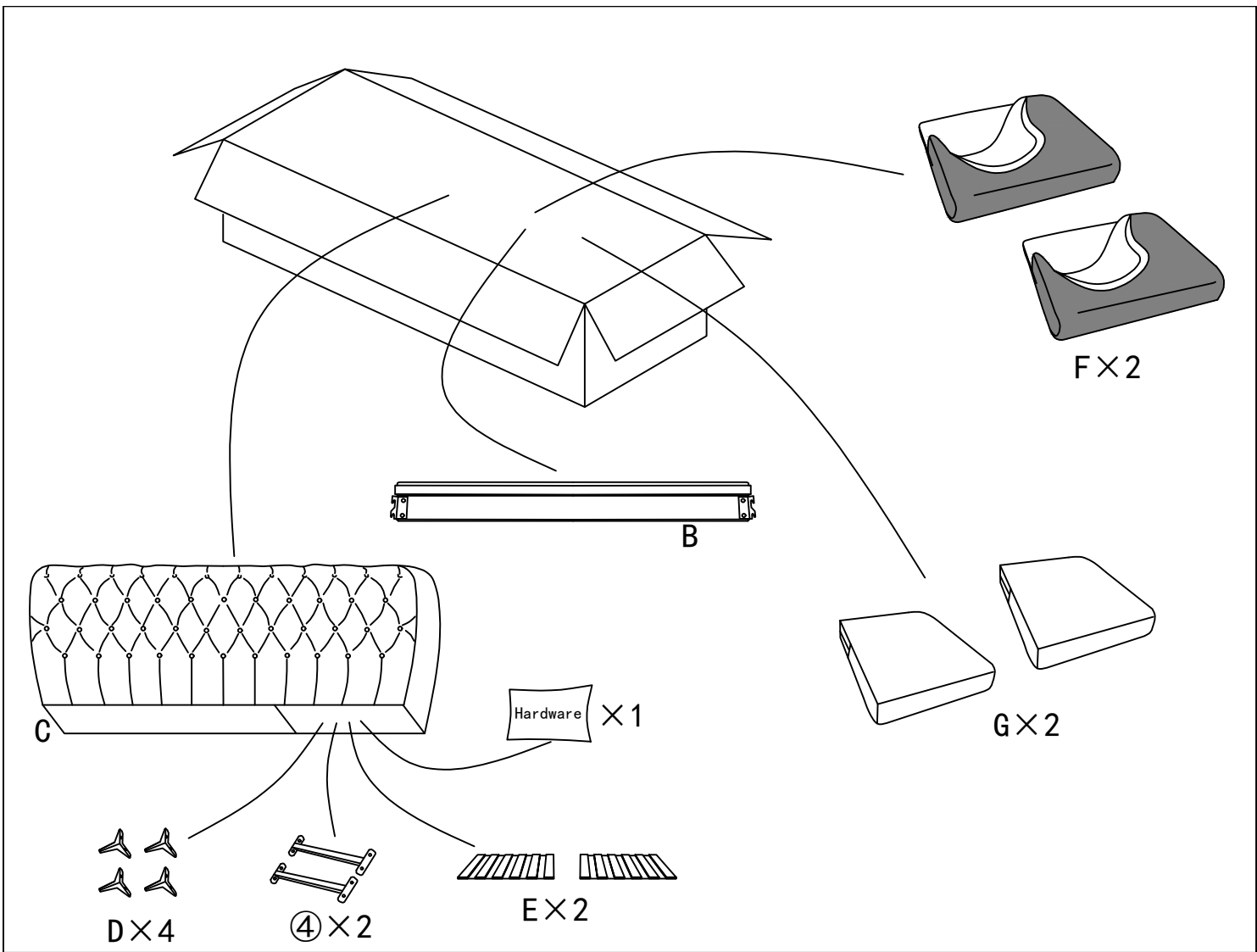


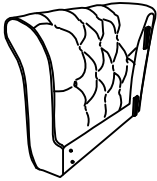
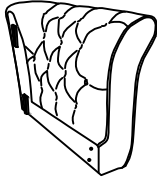
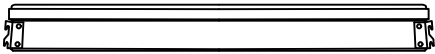
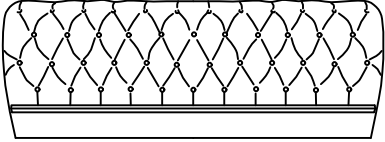
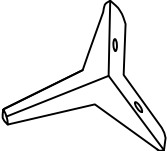

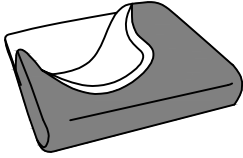
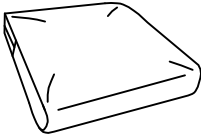
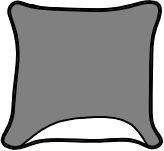
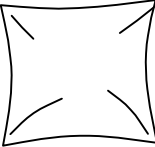
Assembly Instruction

Sofa


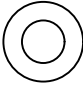







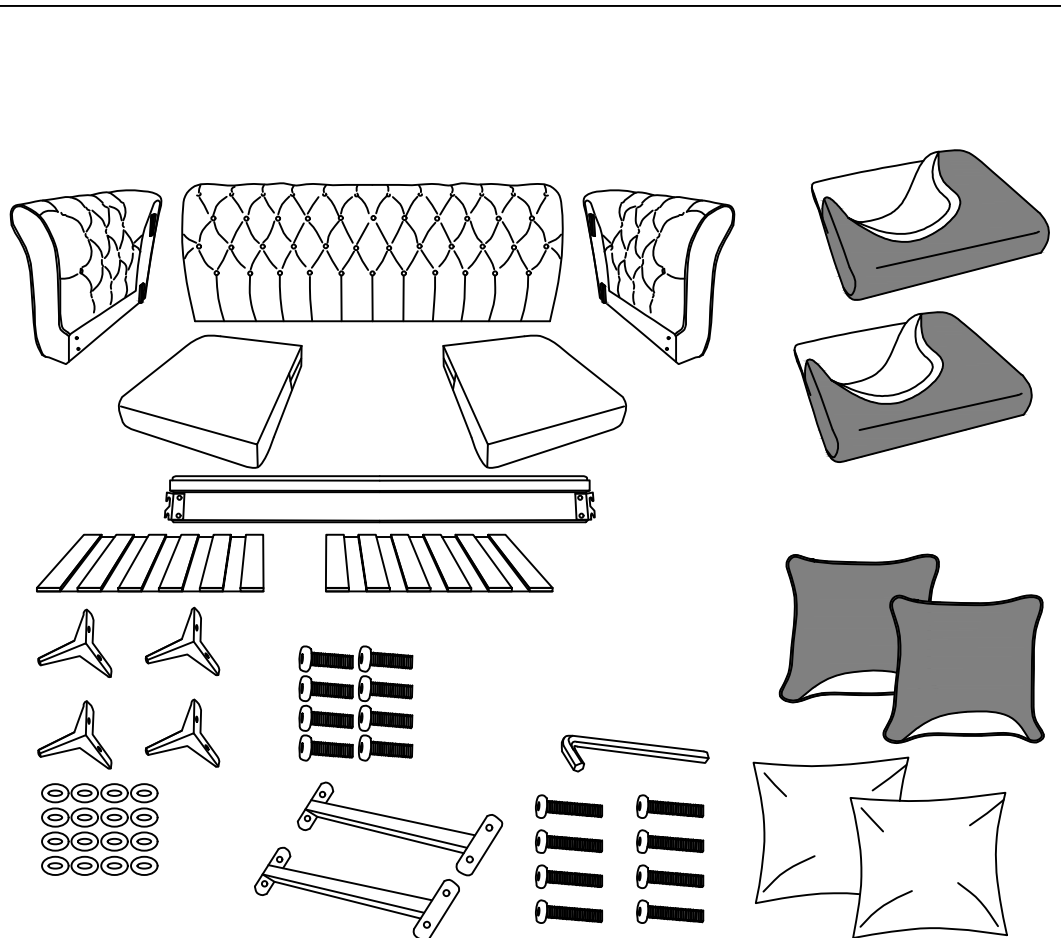
Parts List




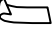

| Label | Picture | Description | QTY |
|-------|---|---------------|-----|
| AL |  | Left Armrest | 1 |
| AR |  | Right Armrest | 1 |
| B |  | Front Rail | 1 |
| C |  | Backrest | 1 |
| D |  | Leg | 4 |
| E |  | Slats | 2 |
| F |  | Seat Cover | 2 |
| G |  | Cover Core | 2 |
| H |  | Pillow Cover | 2 |
| I |  | Pillow Core | 2 |

Hardware

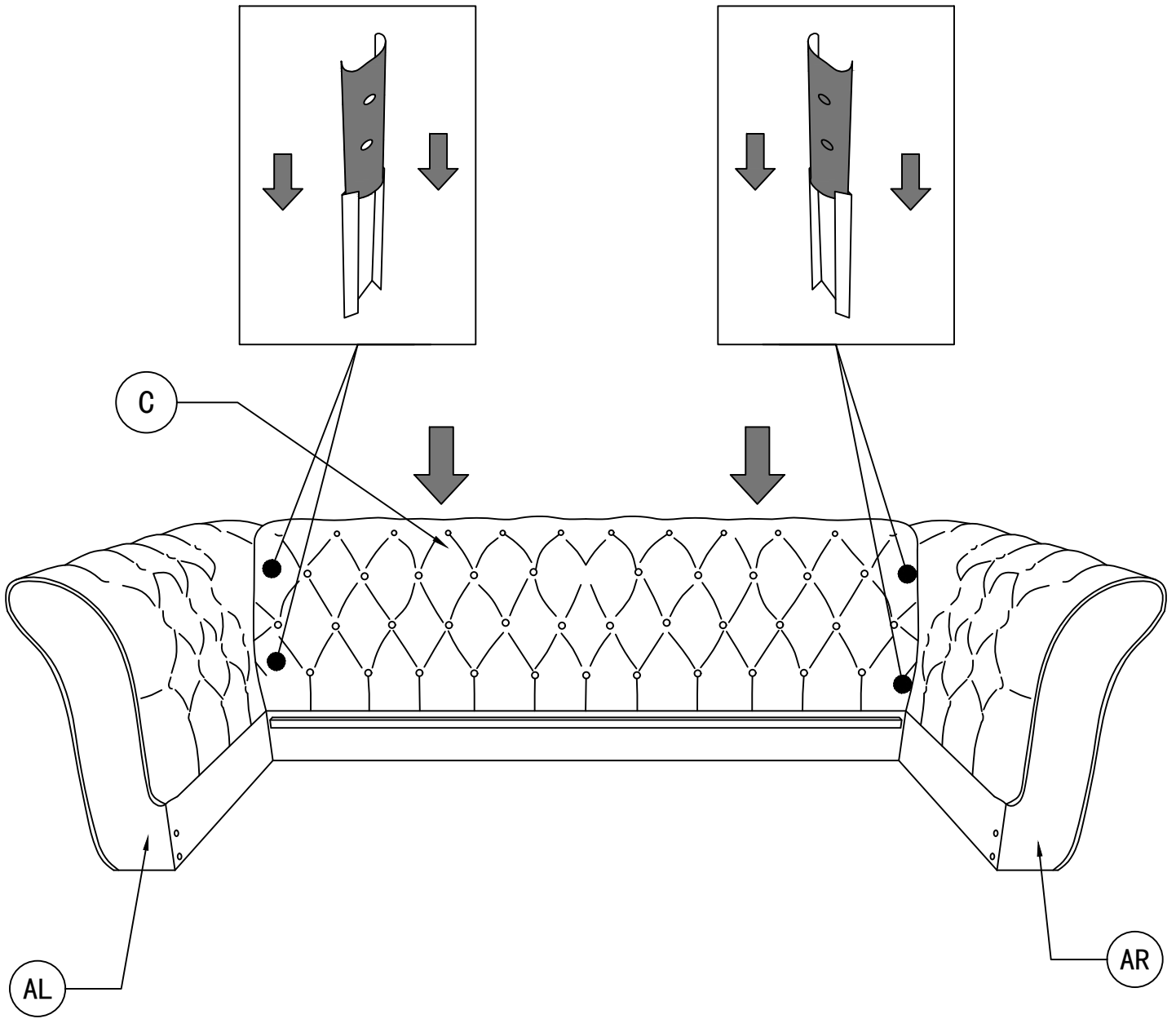
| Label | Picture | Description | QTY |
|-------|---|-----------------|-----|
| ① |  | Bolt (M8*15MM) | 8 |
| ② |  | Washer | 16 |
| ③ |  | Allen Key | 1 |
| ④ |  | Supporting pole | 2 |
| ⑤ |  | Bolt (M8*30MM) | 8 |

Assembly Preparation

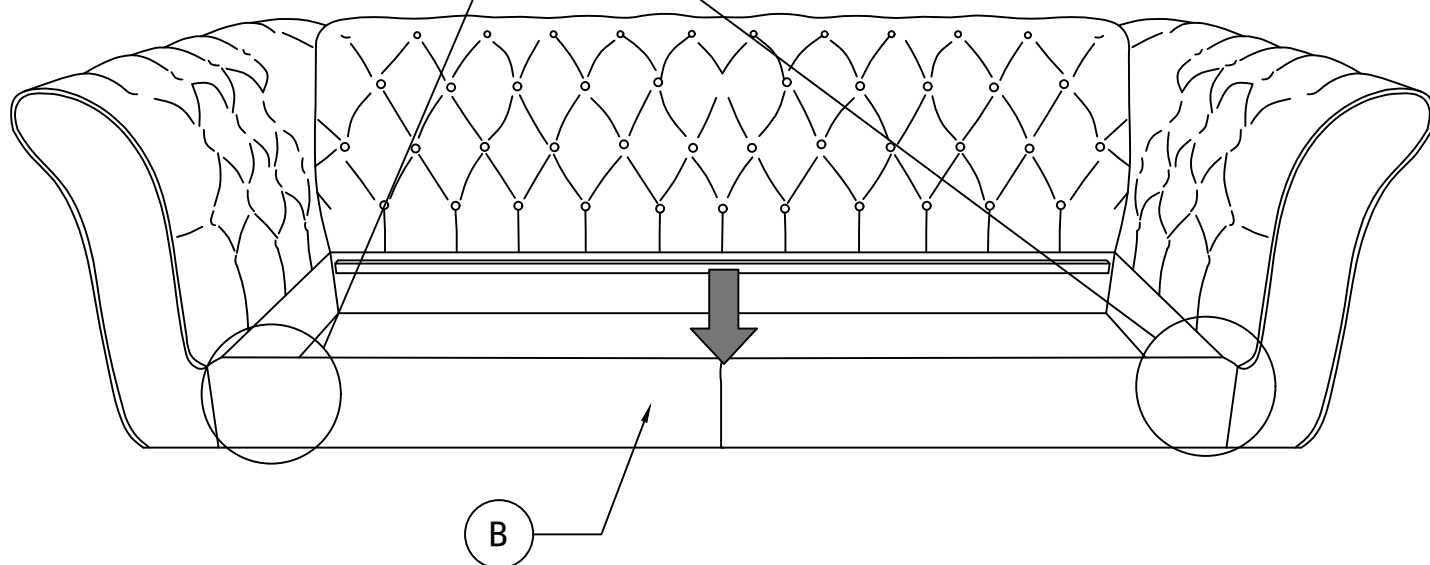
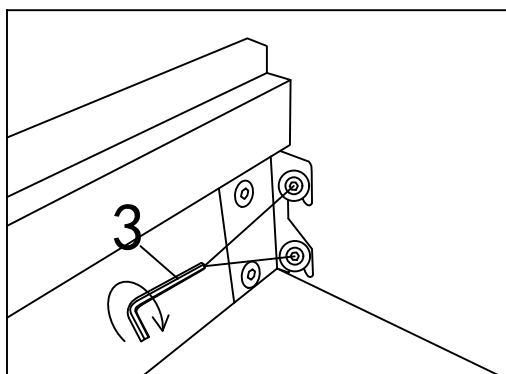


-  ● Read instructions, cover to cover.
-  ● Have 2 adults for assembly.
-  ● Do not assemble on flooring or carpet.
-  ● Assemble on a clean non-marring surface (packing foam).
-  ● Save all packaging until finished.

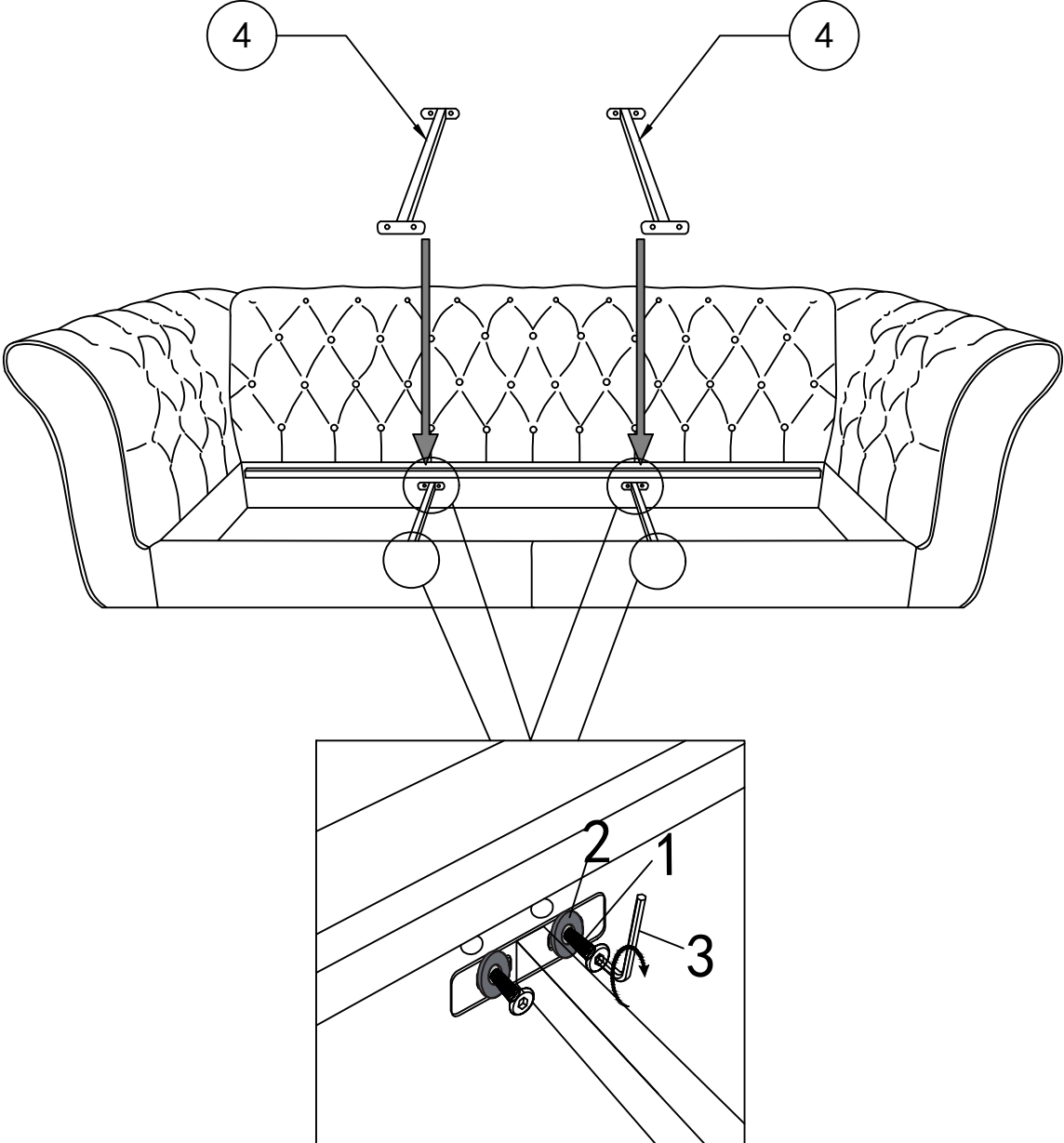
Step1



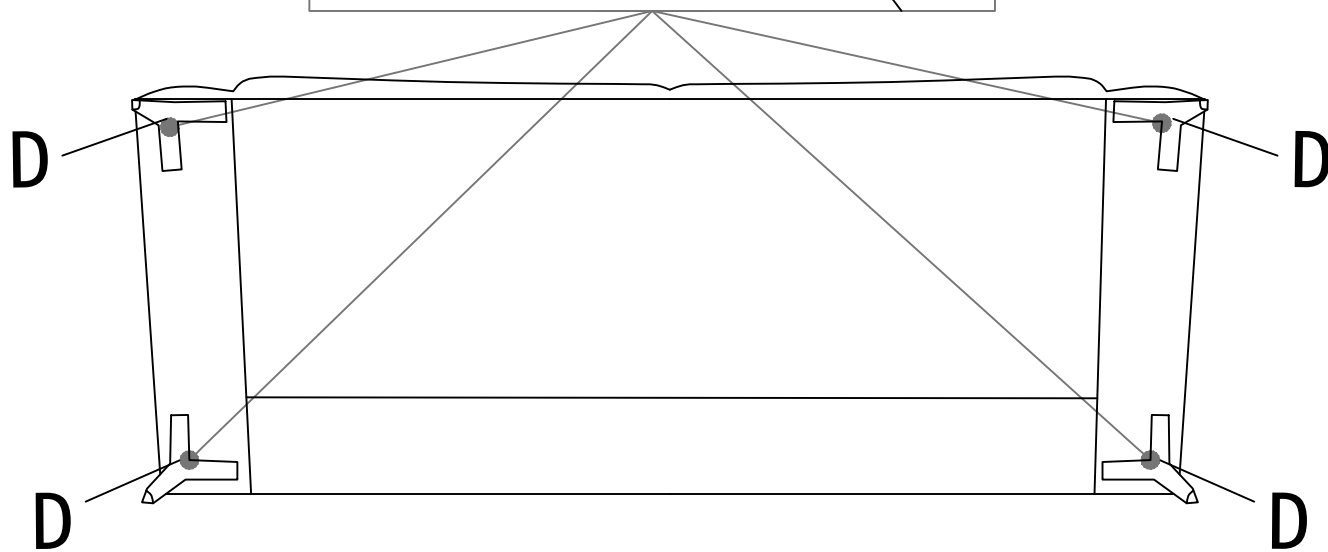
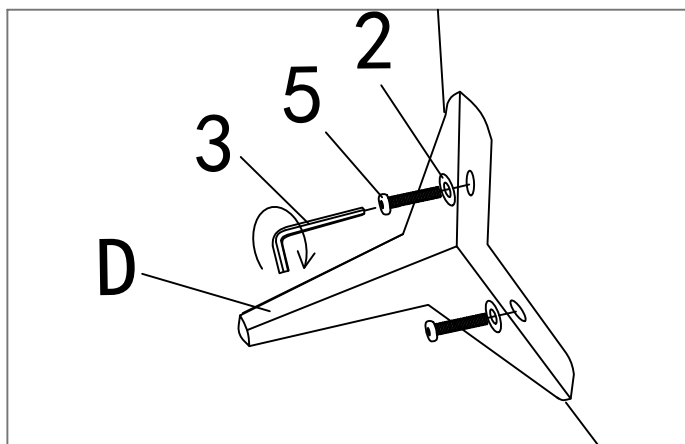
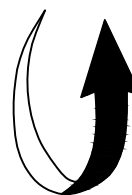
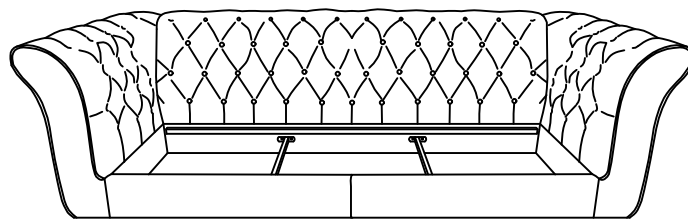
Step2



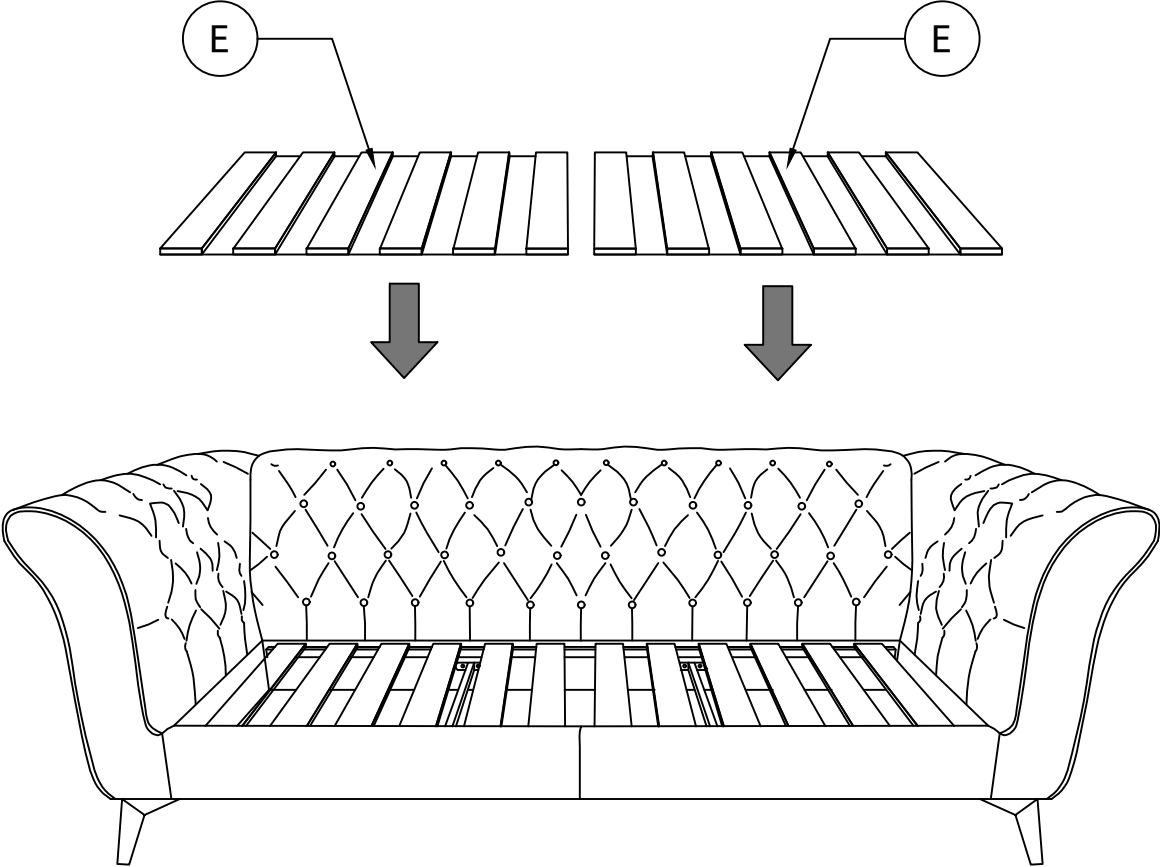
Step3



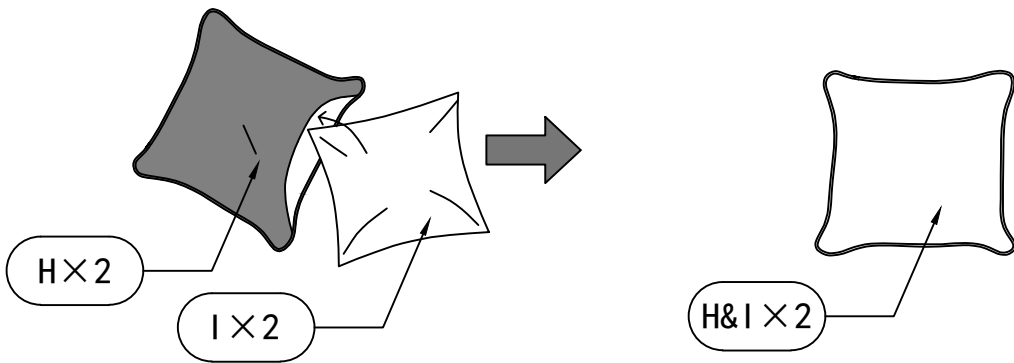
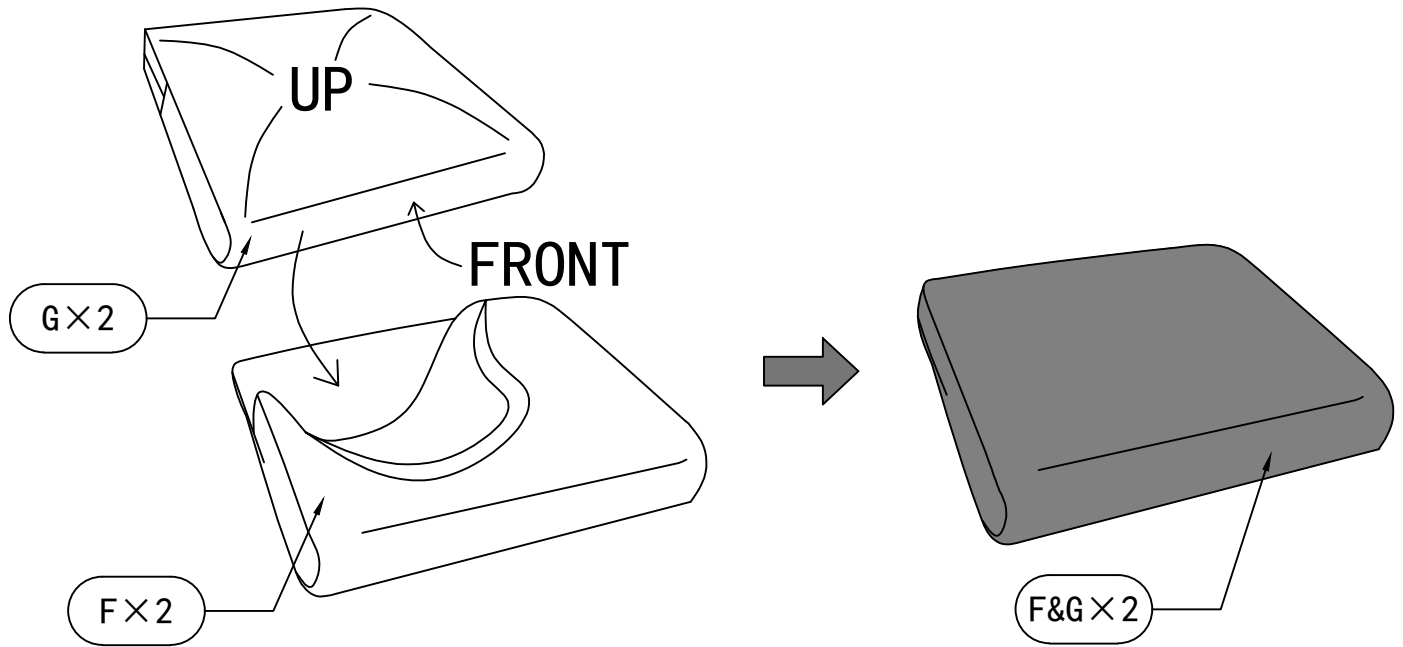
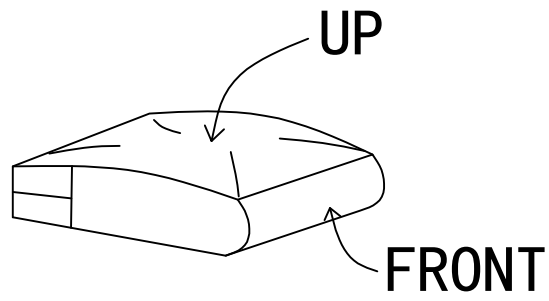
Step4



Step5



Step6



Step 7

